

### Standard Accessories

Reference bar, 1 pc.  
(except for measuring range 0 to 25 mm models)  
Spanner (301336), 1 pc.



### Typical Indicator Choice

Dial indicator (0.01 mm)/2046AB  
Dial indicator (0.001 mm)/2109AB-10  
ABS Digimatic Indicator (0.01 mm)/543-400B  
ABS Digimatic Indicator (0.001 mm)/543-390B

## Indicator Type Micrometers SERIES 107

- Designed to mount a dial indicator for direct GO/ $\pm$ NG judgment on mass-produced parts.
- Anvil retracting trigger for quick measurement.

- Various kinds of indicators\* are selectable depending on the measurement type (accuracy required, measuring range, etc.).
- Measuring faces: Carbide.
- Anvil stroke: 3 mm.

\* Indicators with stems cannot be installed on this micrometer.



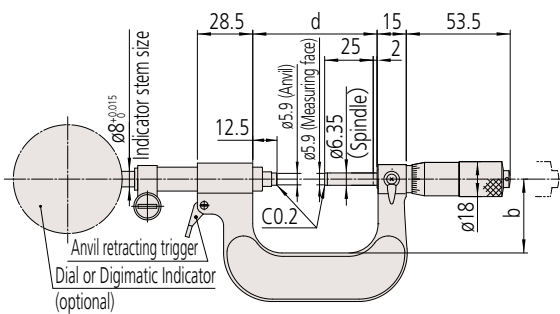
107-201  
(Indicator shown is optional)

### SPECIFICATIONS

Metric				
Order No.	Range (mm)	Spindle feed error ( $\mu$ m)	Flatness ( $\mu$ m)	Parallelism ( $\mu$ m)
107-201	0 - 25	3	0.6	2
107-202	25 - 50			
107-203	50 - 75			
107-204	75 - 100			3
107-205	100 - 125			
107-206	125 - 150			
107-207	150 - 175			
107-208	175 - 200	4		

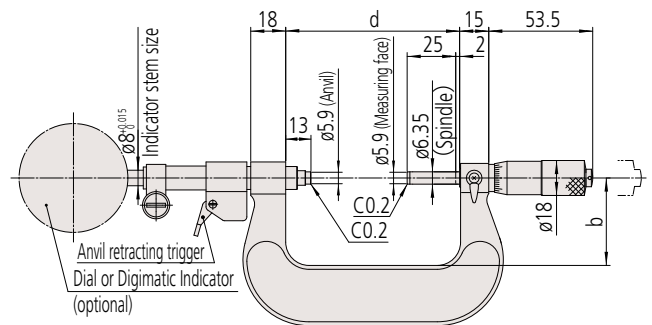
### DIMENSIONS

#### Measuring range up to 50 mm

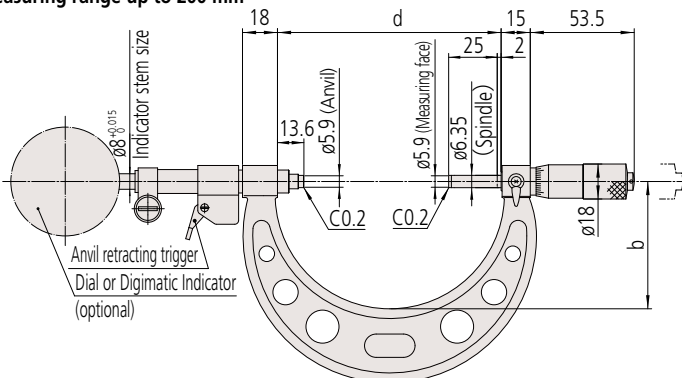


#### Measuring range up to 75 mm

Unit: mm



#### Measuring range up to 200 mm



Range (mm)	b	d
0 - 25	30	39
25 - 50	38	64
50 - 75	45	89.5
75 - 100	65	115.1
100 - 125	79	140.1
125 - 150	93	165.1
150 - 175	105	190
175 - 200	118	214